



## 636072-X MATERIAL FILTER

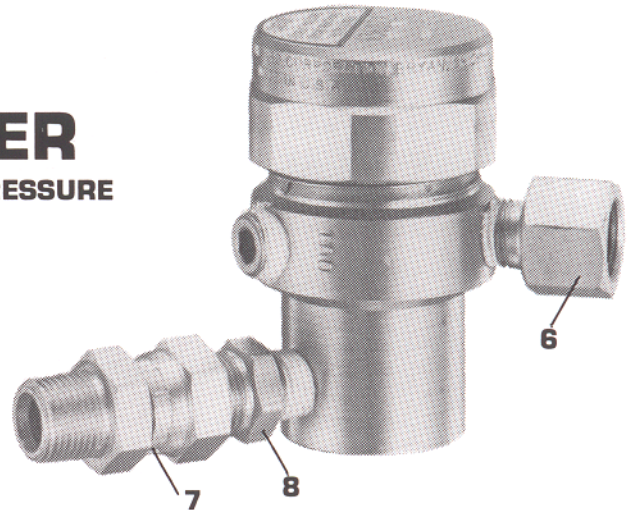
5000 PSI (345 BAR) MAX. WORKING PRESSURE

THIS SHEET COVERS:

**636072**  
30 MESH SCREEN

**636072-1**  
70 MESH SCREEN

**636072-2**  
70 MESH SCREEN



MODEL 636072

### DESCRIPTION

This model is designed primarily for use with the Aro airless 17:1 ratio undercoating pumps. It is used for filtering asphalt type or, grease type rustproofing material.

### INSTALLATION

Assemble **7** Swivel Union into the material outlet of the pump. Thread the female thread of the **7** swivel union onto the **8** Adapter at material inlet of filter. Assemble the material hose to the **6** adapter at material outlet of filter.

### DISASSEMBLY

Refer to Figure 1.

NOTE: Be sure all pressure is relieved and all air lines are disconnected before servicing material filter.

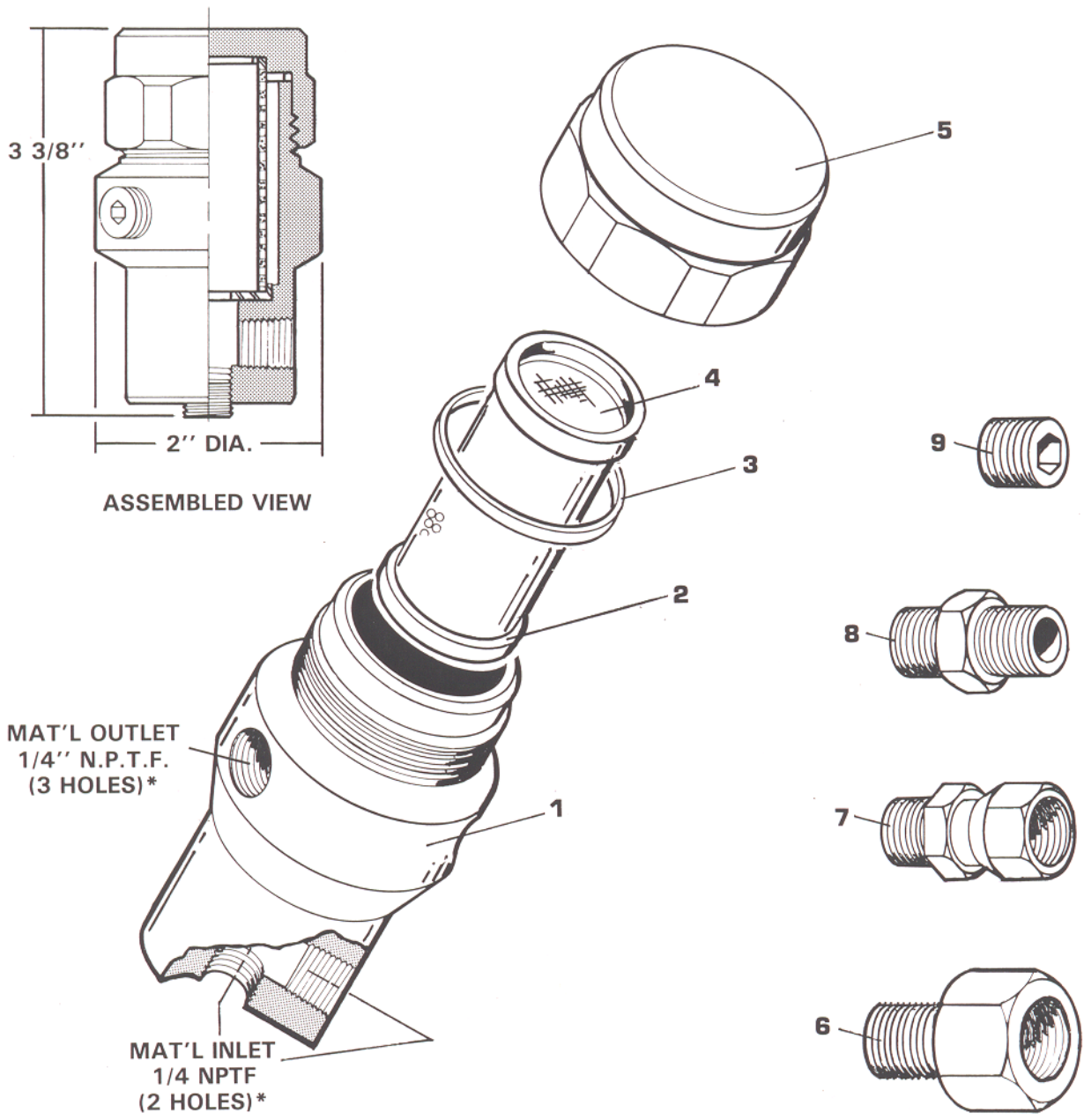
1. Unscrew and remove the **5** cap and **3** gasket.
2. Pull the **2** tube & cap ass'y out of the **1** body.
3. Remove the **4** screen from the **2** tube & cap ass'y for cleaning. This should be done periodically with a suitable solvent.
4. Reverse the above disassembly for assembly.

### TROUBLESHOOTING

If the **3** gasket should become damaged there will be a leak between the **5** cap and the **1** body.

**DO NOT EXCEED MAXIMUM WORKING PRESSURE OF 5000 PSI (345 BAR)**

**NOTICE: READ THIS MANUAL CAREFULLY BEFORE OPERATING, INSTALLING OR SERVICING THIS EQUIPMENT.**



\*(PLUG THE HOLES NOT BEING USED WITH 9)

REF. NO.	DESCRIPTION	MATERIAL	PART NO. (QTY)		
			636072	636072-1	636072-2
1	BODY	STEEL	91453	91453	91453
2	TUBE & CAP ASS'Y		65979	65979	65979
3	GASKET	CELCON	91346	91346	91346
4	SCREEN (30 MESH)	STAIN. STEEL	91192-5		
	SCREEN (70 MESH)	STAIN. STEEL		91192-2	91192-2
5	CAP	STEEL	91451	91451	91451
6	ADAPTER (3/8 NPTF(F) x 1/4 NPTF(M))	STEEL	71838	71838	71838
7	3/8" SWIVEL UNION	STEEL	75365	75365	
8	ADAPTER (1/4 NPTF x 3/8 NPTF)	STEEL	73581	73581	
9	1/4" PIPE PLUG	STEEL	Y17-51-N(3)	Y17-51-N(3)	Y17-51-N(3)